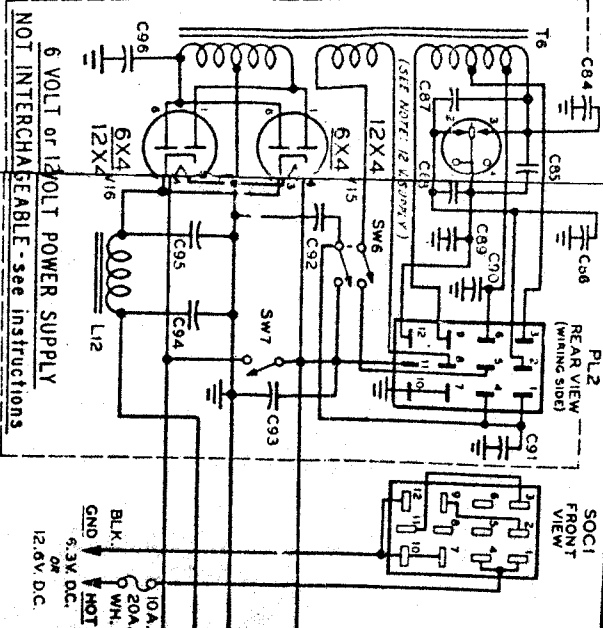
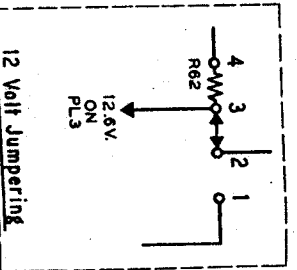
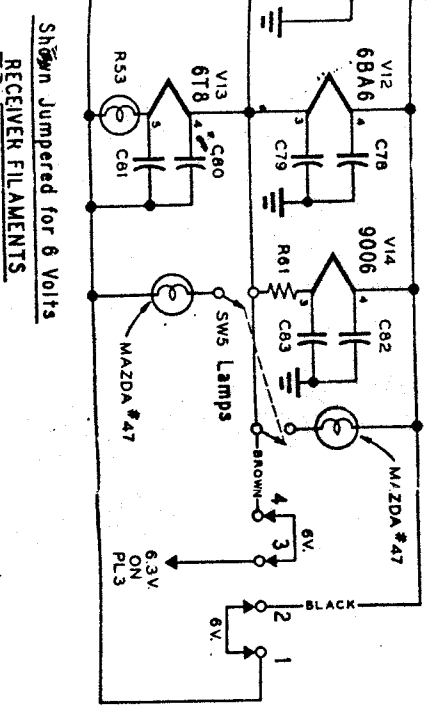
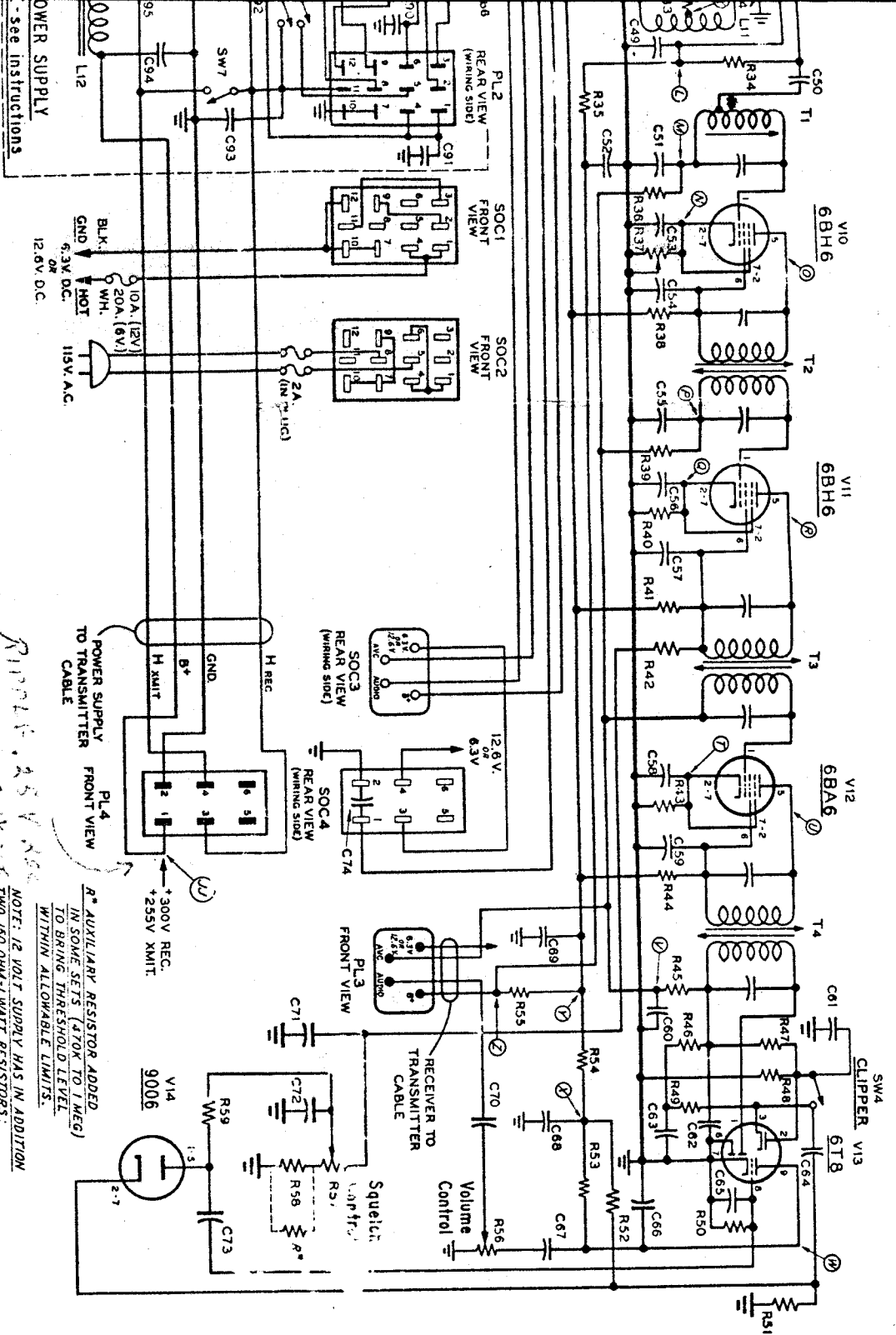


Shown Jumpered for 6 Volts
RECEIVER FILAMENTS





NOTE: 12 VOLT SUPPLY HAS IN ADDITION TWO 150 OHM 1/2 WATT RESISTORS. ONE FROM PIN 2 OF VIBRATOR TO GROUND. ONE FROM PIN 3 OF VIBRATOR TO GROUND.

VOLTAGE CHART

All voltages measured with VTVM having input resistance of at least 10 megohms (50 ohm input, no signal.)

SPRBO:	TR * * MITT	RECEIVE
--------	-------------	---------

K4XL's **BAMA**

This manual is provided **FREE OF CHARGE** from the “BoatAnchor Manual Archive” as a service to the Boatanchor community.

It was uploaded by someone who wanted to help you repair and maintain your equipment.

If you paid anyone other than BAMA for this manual, you paid someone who is making a profit from the free labor of others without asking their permission.

You may pass on copies of this manual to anyone who needs it. But do it without charge.

Thousands of files are available without charge from BAMA. Visit us at <http://bama.sbc.edu>